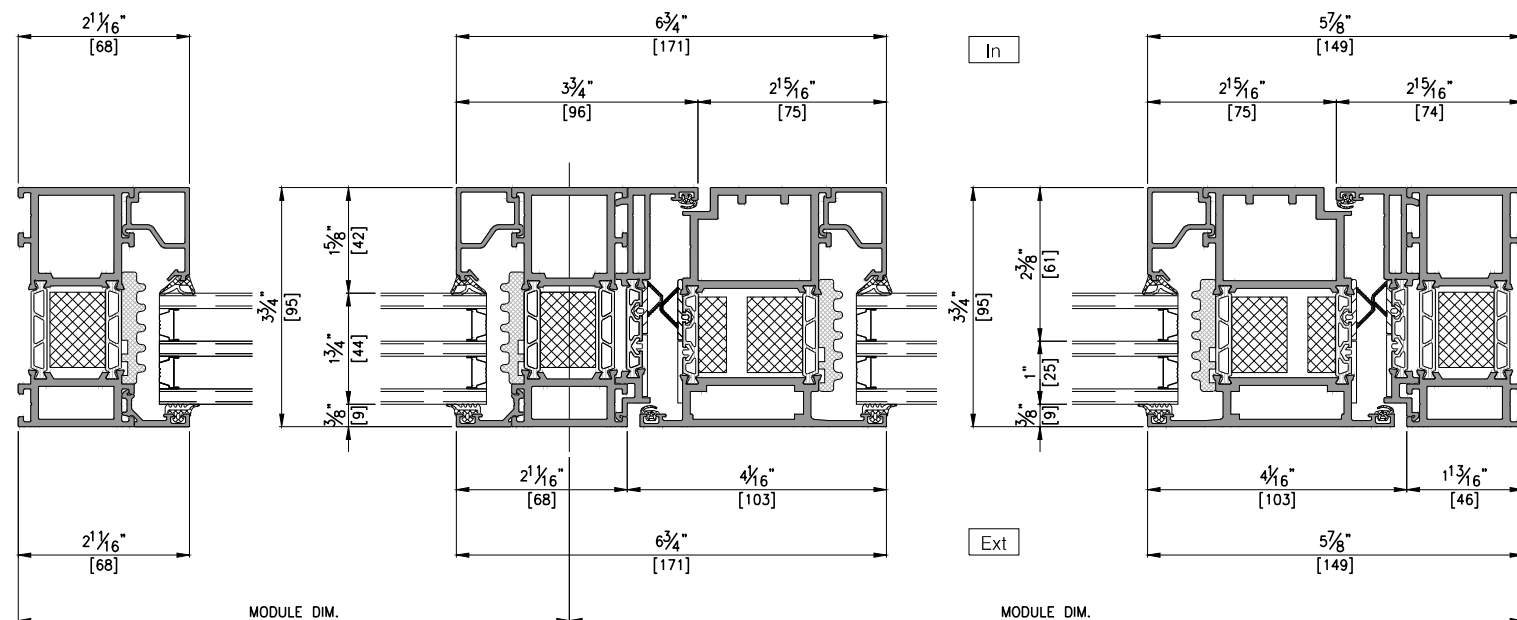
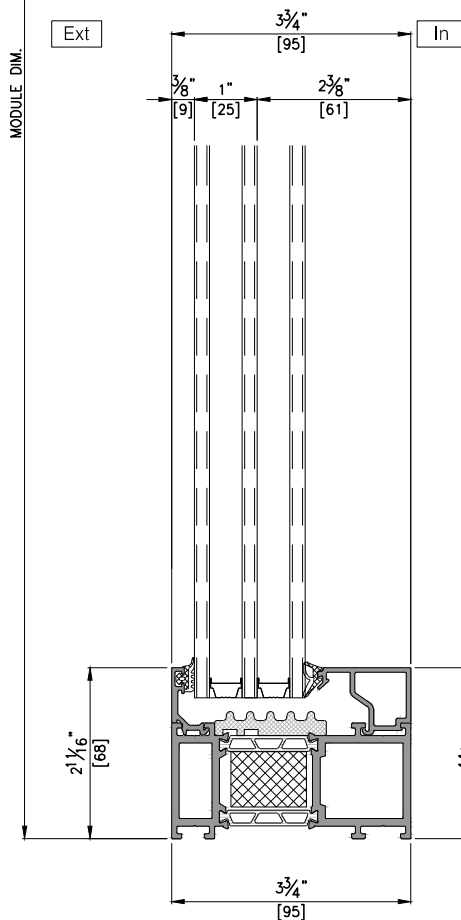
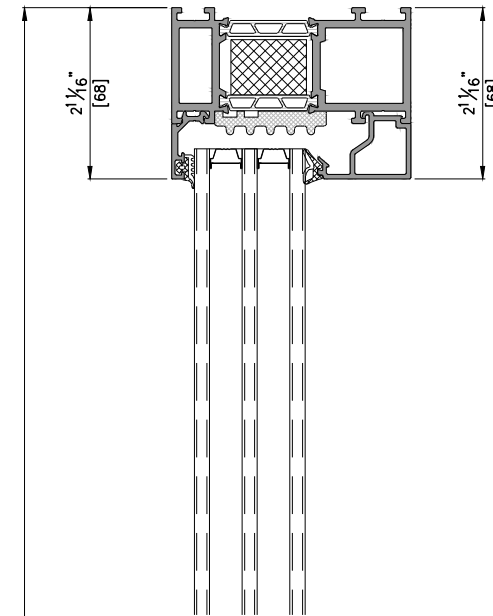


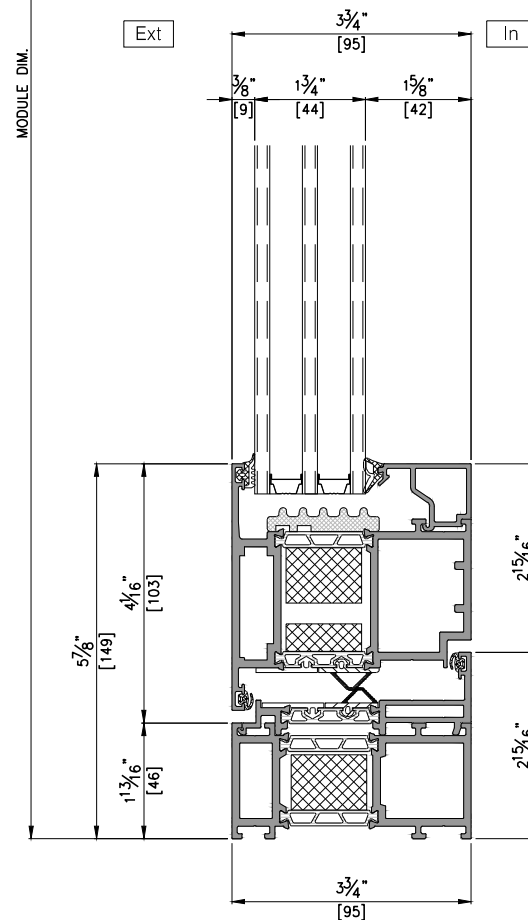
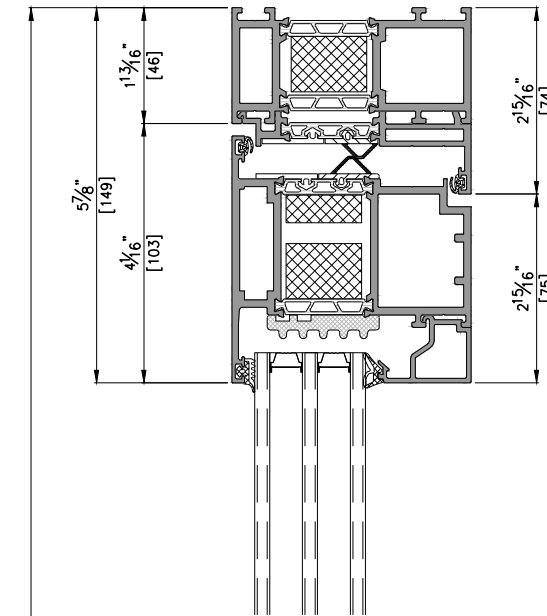
**ELEVATION**  
SCALE: 1/30



**HORIZONTAL SECTION DETAIL A-A'**  
SCALE: 1/3



**VERTICAL SECTION DETAIL B-B'**  
SCALE: 1/3



**VERTICAL SECTION DETAIL C-C'**  
SCALE: 1/3

NOTE  
OX TYPE  
44mm

- General Notes
- Elevations are shown from exterior unless otherwise noted
  - Anchor/wall fastener - Location, spacing and quantity to be determined per design pressure requirements by structural engineer and/or certified test drawings

△	
△	
△	
△	
△	
0	
REV.	DESCRIPTION
v.3	

PROJECT	-
ITEM NO.	-
PRODUCT NAME	EDS95 OW W/S WITH SILL
QTY	1
VIEW	EXTERIOR
SCALE	-
DRAWING NO.	ISSUE