

NOTE

R TYPE  
44mm

General Notes

- Elevations are shown from exterior unless otherwise noted
- Anchor/wall fastener - Location, spacing and quantity to be determined per design pressure requirements by structural engineer and/or certified test drawings

△			
△			
△			

△			

REV.	DESCRIPTION
v3	

PROJECT

ITEM NO.

PRODUCT NAME

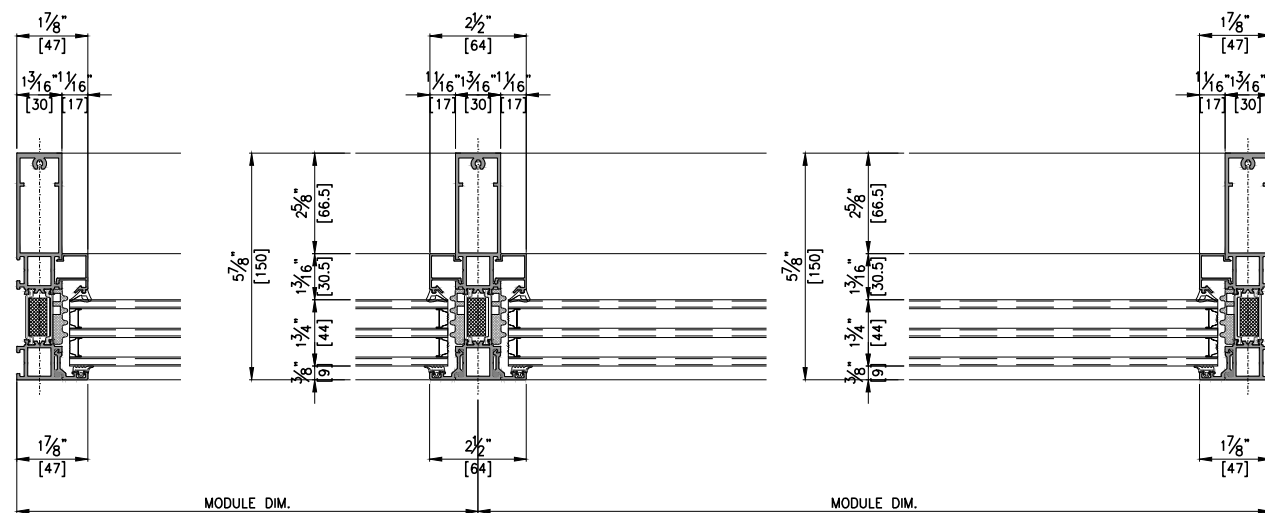
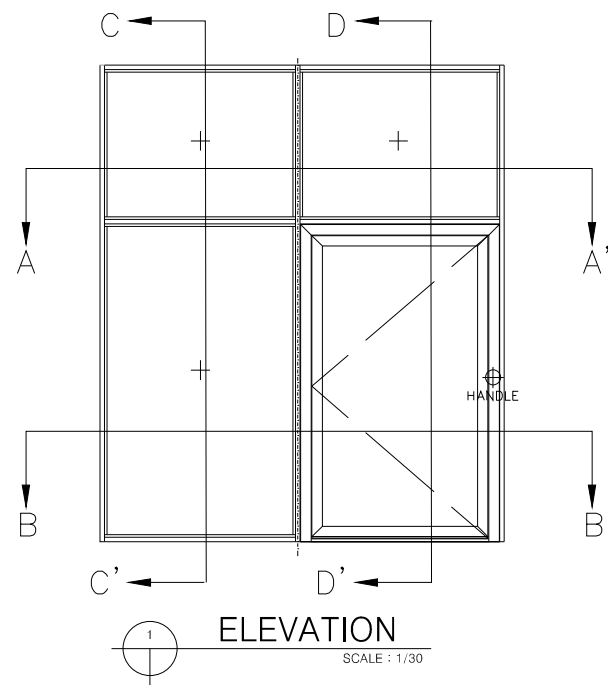
EW150 &  
EDS75 DOOR IW

QTY  
1

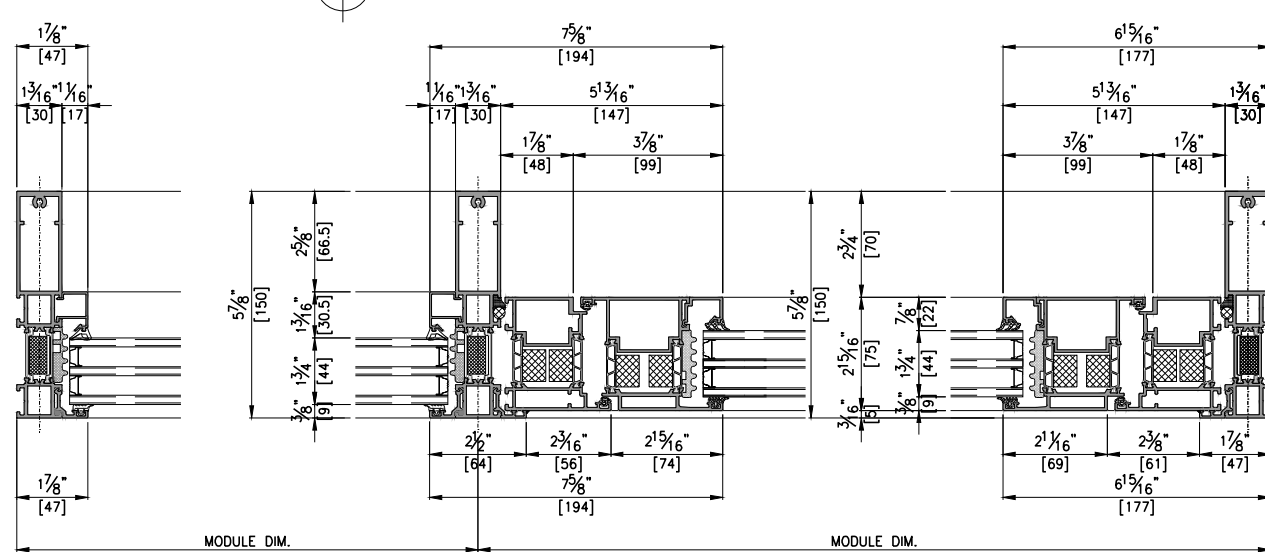
VIEW  
EXTERIOR

SCALE

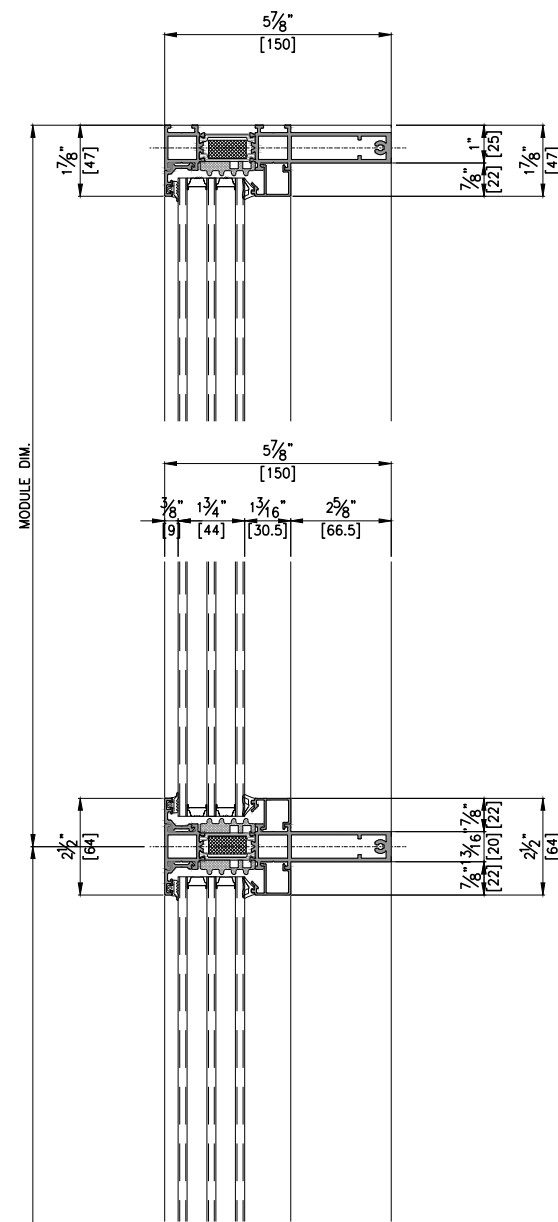
DRAWING NO. ISSUE



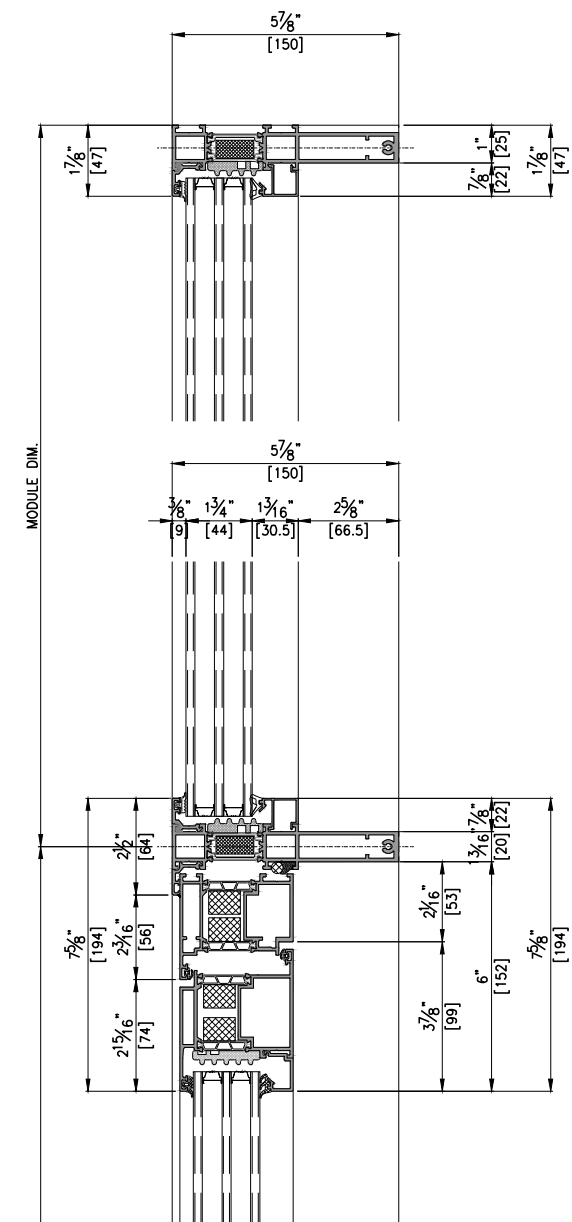
HORIZONTAL SECTION DETAIL A-A'  
SCALE: 1/5



HORIZONTAL SECTION DETAIL B-B'  
SCALE: 1/5



VERTICAL SECTION DETAIL C-C'  
SCALE: 1/5



VERTICAL SECTION DETAIL D-D'  
SCALE: 1/5