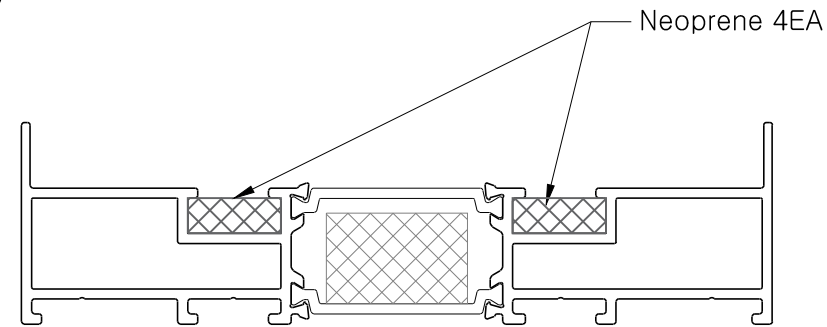
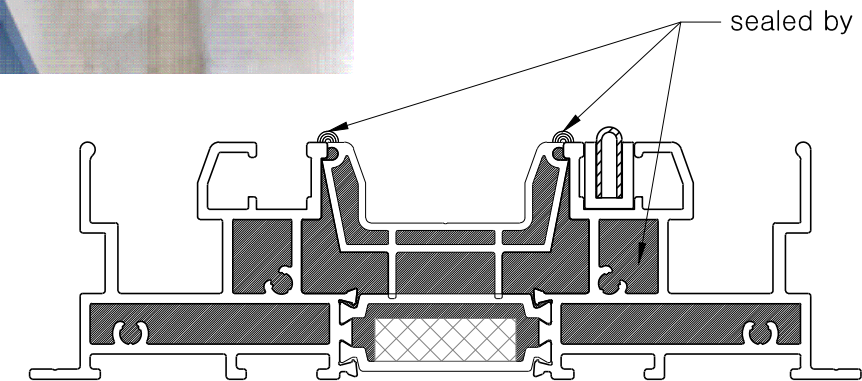


Neoprene & sealant

1 Insert sponge (Neoprene) into the groove and sealed by caluking for all side of Jamb profile.

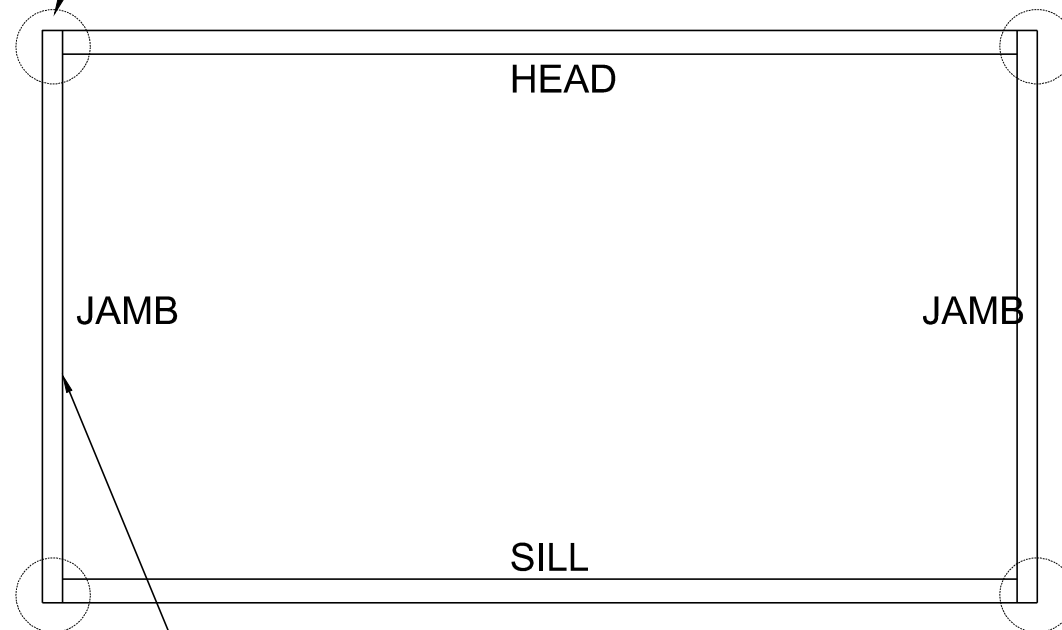


sealed by caluking

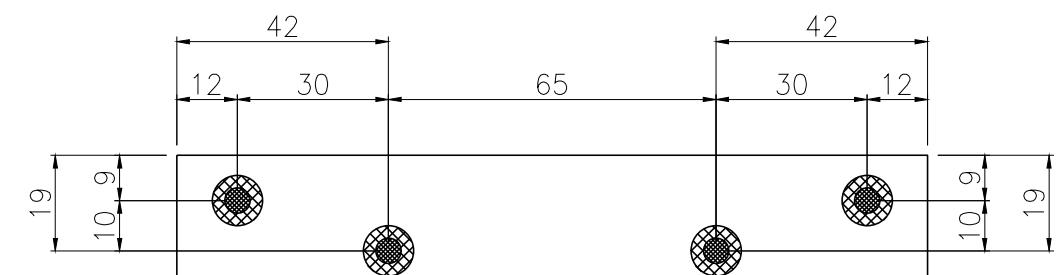


90 degree corner assembly with a screw after sealants application on the surface of cut section for two profiles

Please see the screw location for 90 degree corner.

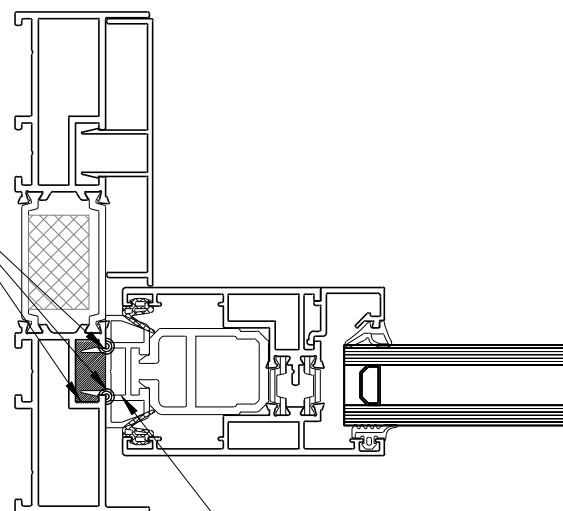


2

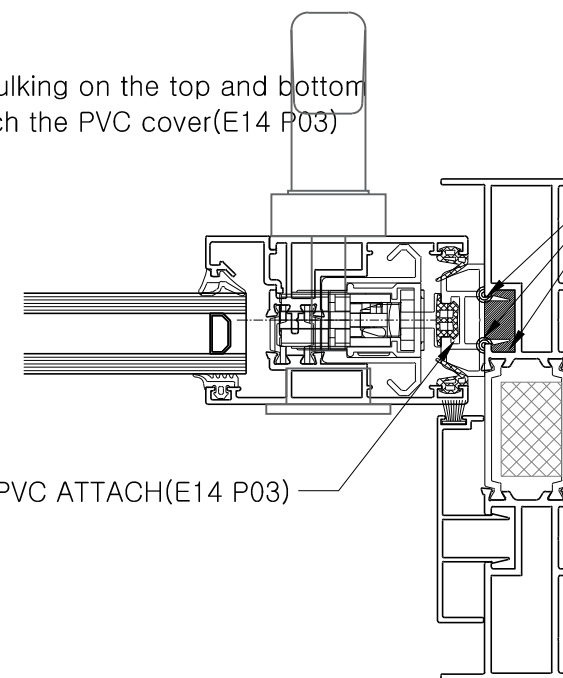


3 Sealing by caulking on the top and bottom hole and attach the PVC cover(E14 P03)

sealed by caluking

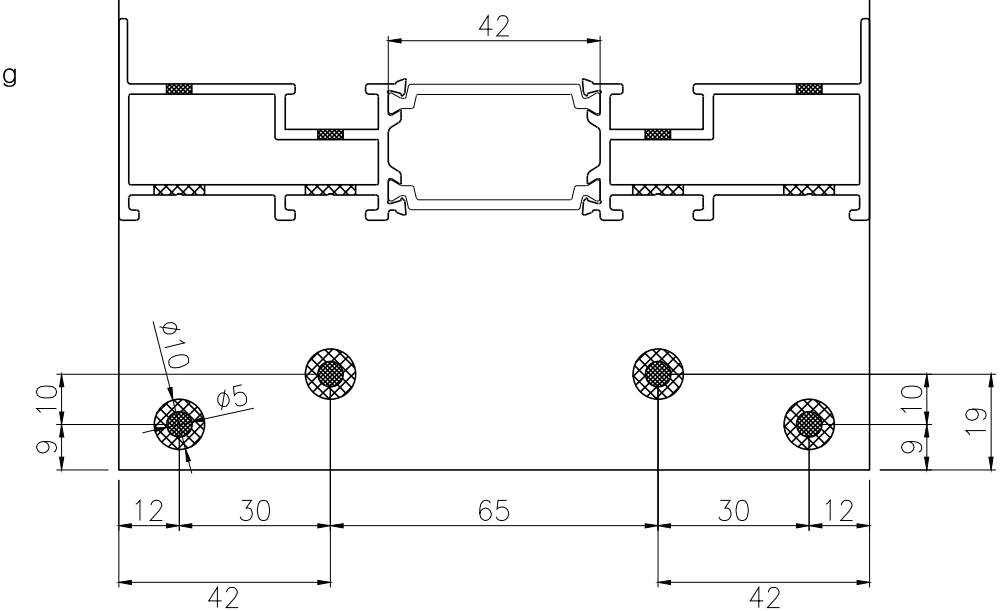


PVC ATTACH(E14 P03)



sealed by caluking

PVC ATTACH(E14 P03)

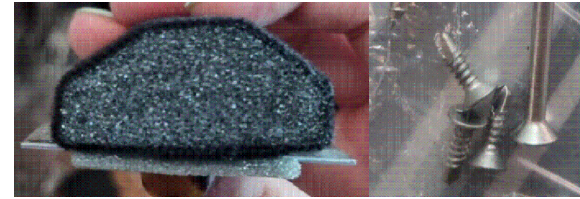
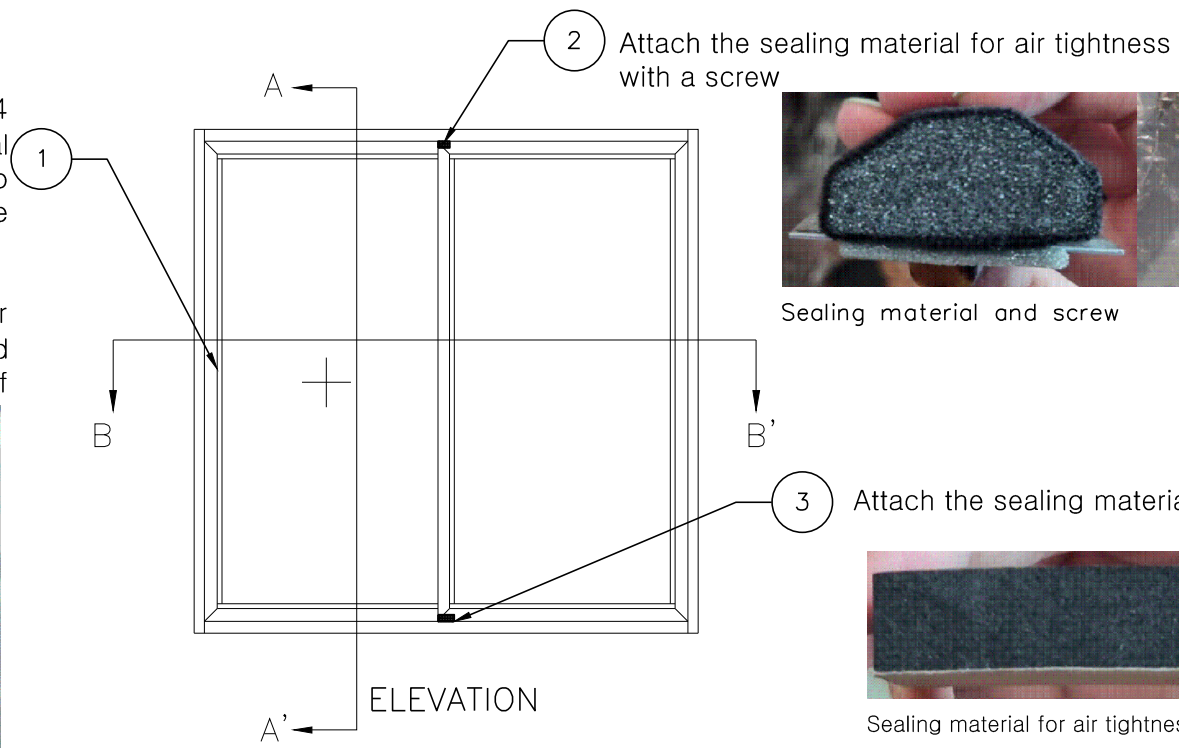


Insert the 3 pieces of PVC cover(E14 P07) into the Sill and Jamb at an equal distance and attached the fixed leaf onto the frame

Please insert the 2 pieces of PVC cover (E14 P07) into the both side of head profile after installation of fixed leaf



Fix vent assembly screw



Sealing material and screw

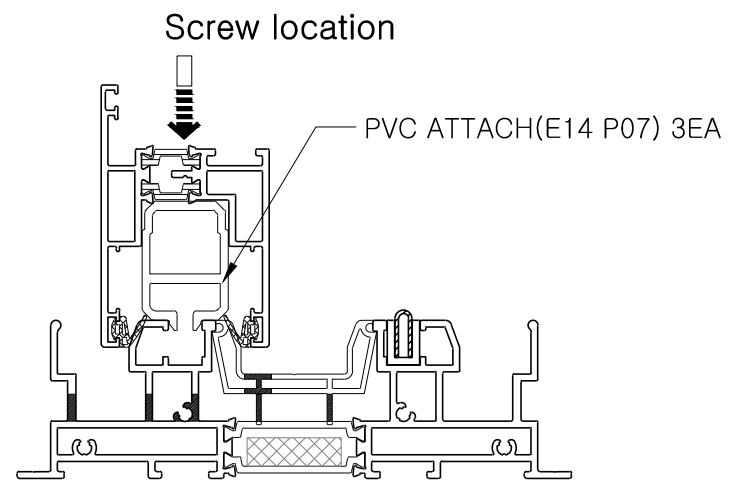
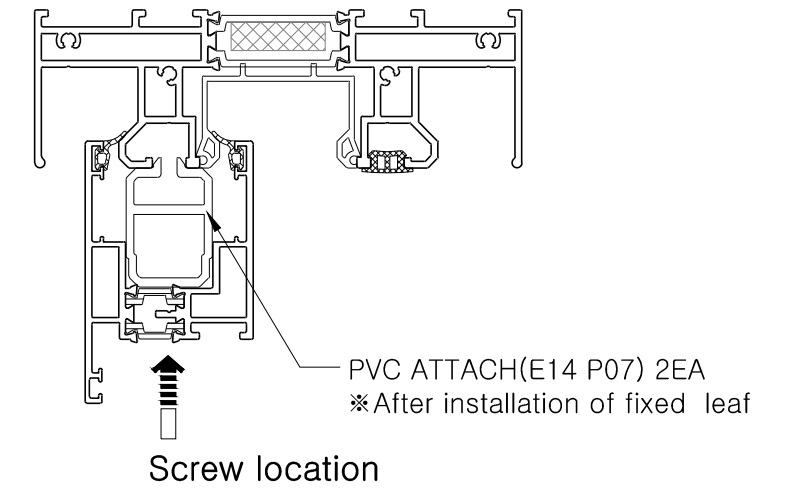


Sealing material for air tightness

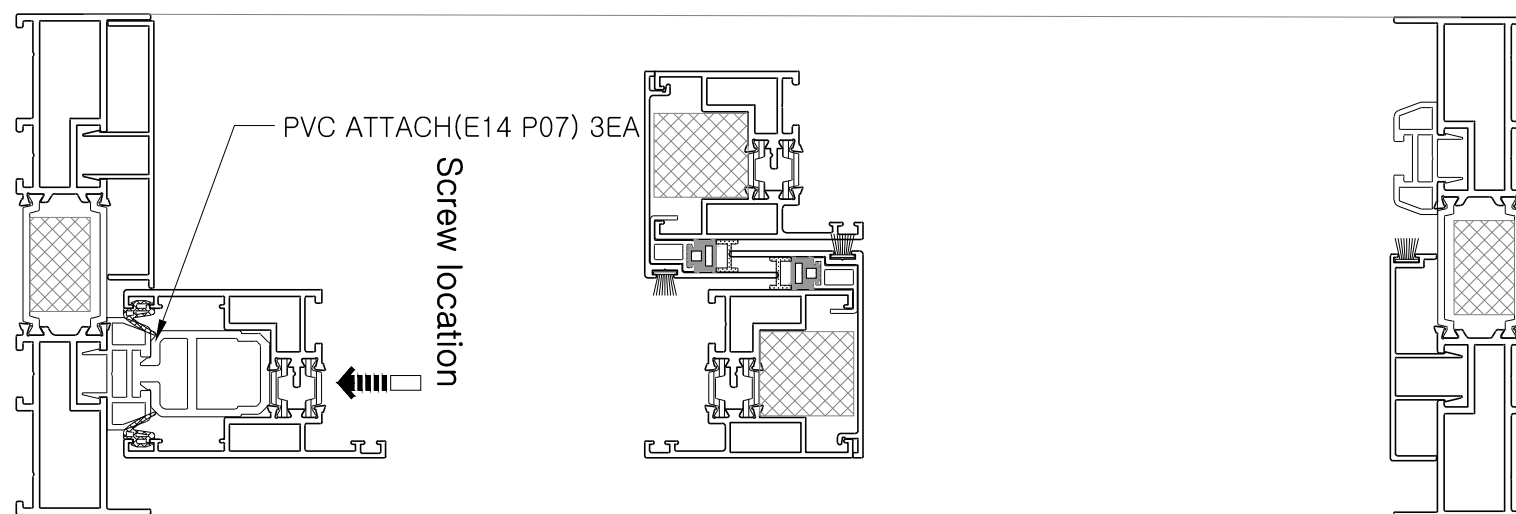
In

Ext

In

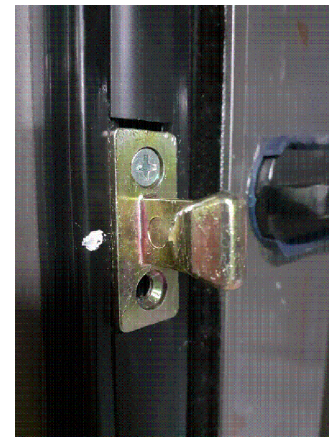
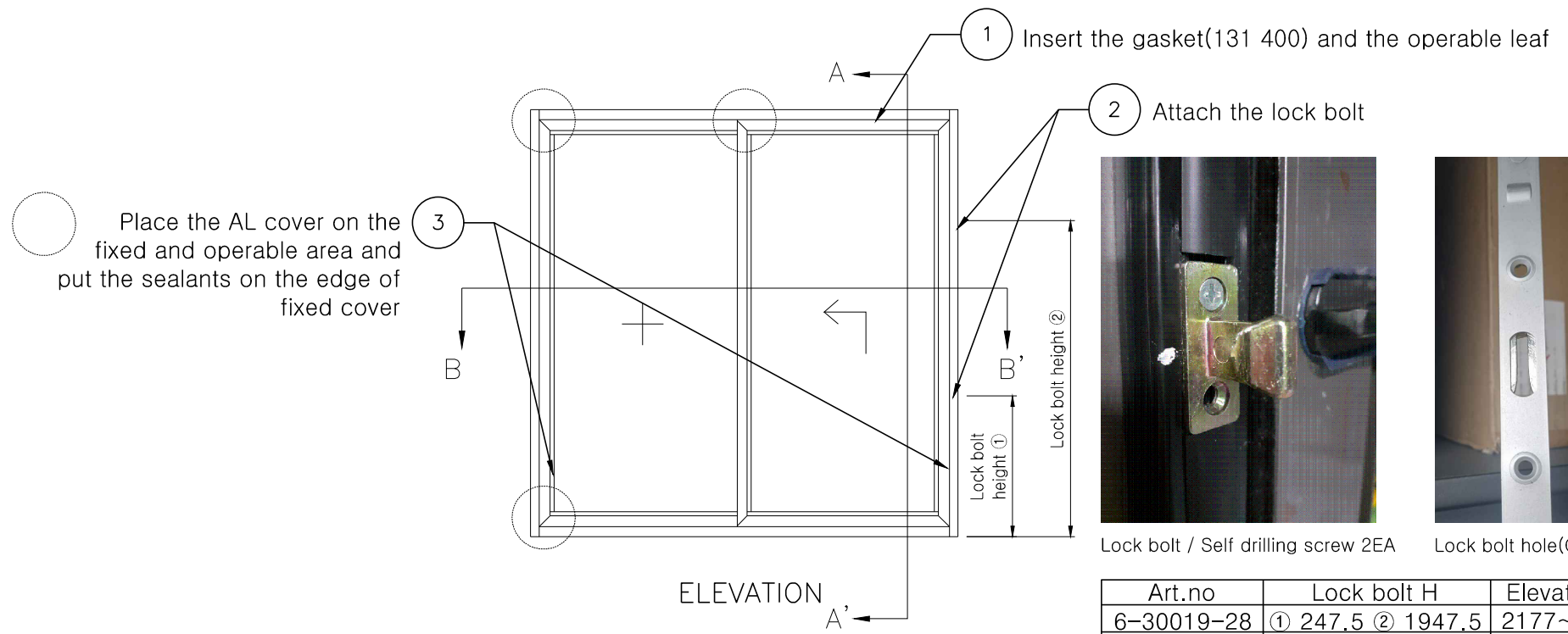


VERTICAL SECTION (A-A')



Ext

HORIZONTAL SECTION (B-B')



Lock bolt / Self drilling screw 2EA



Lock bolt hole(GU Gear)

Art.no	Lock bolt H	Elevation H	Handle H
6-30019-28	① 247.5 ② 1947.5	2177~2827	1045
6-30019-44	① 247.5 ② 1477.5	1927~2427	1045
6-30019-24	① 247.5 ② 1697.5	1927~2427	1045
6-30019-19	① 247.5 ② 1067.5	1317~1927	445
6-30019-11	① 247.5 ② 697.5	927~1347	445

