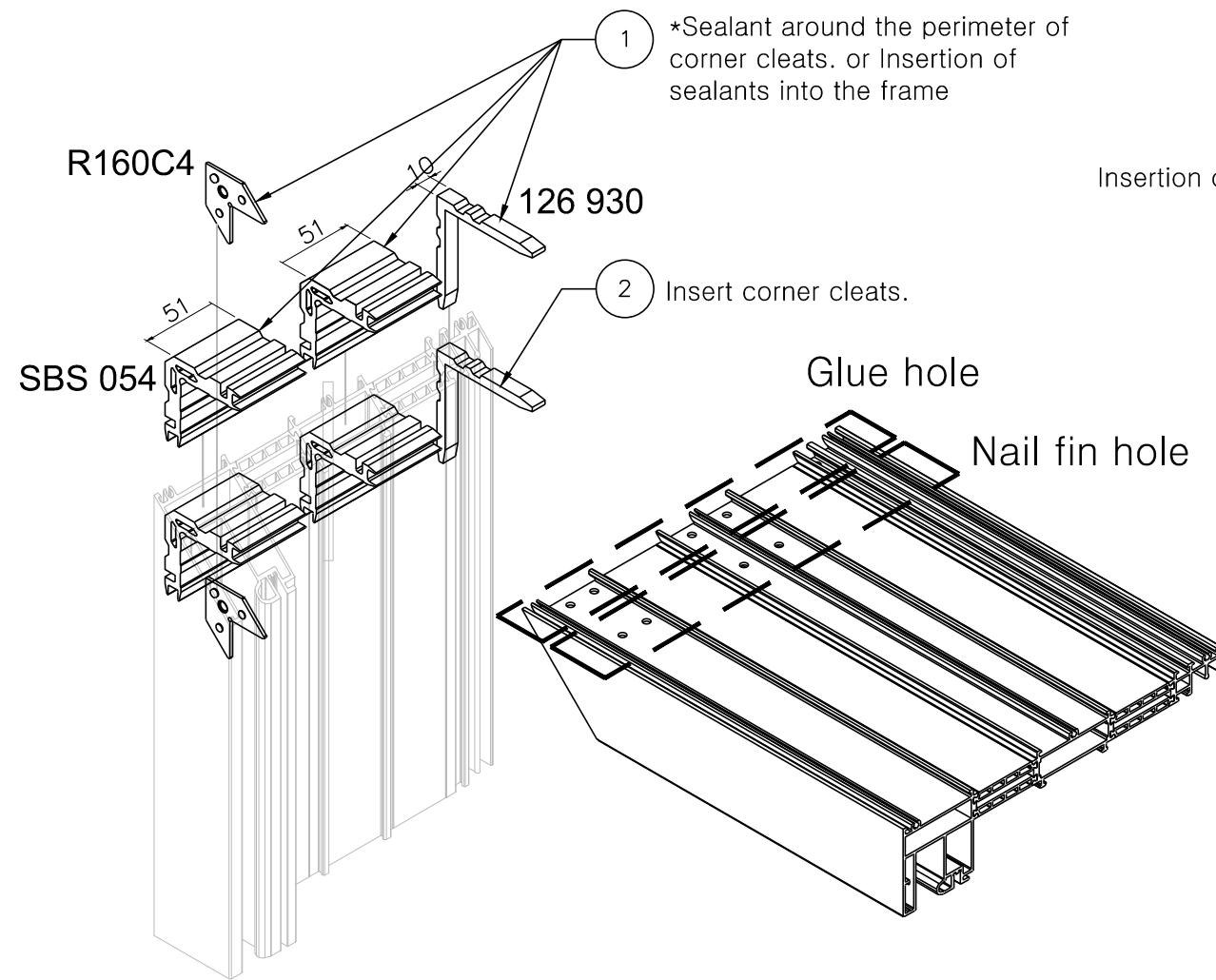
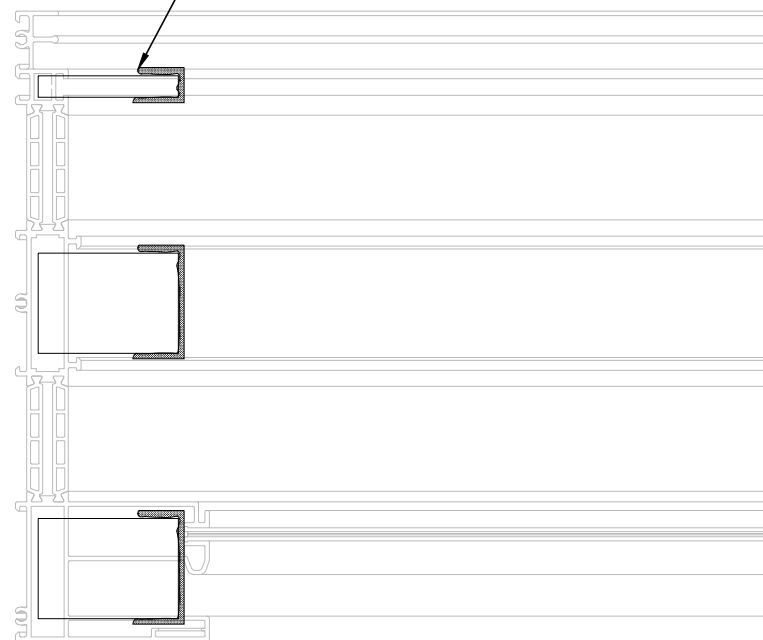


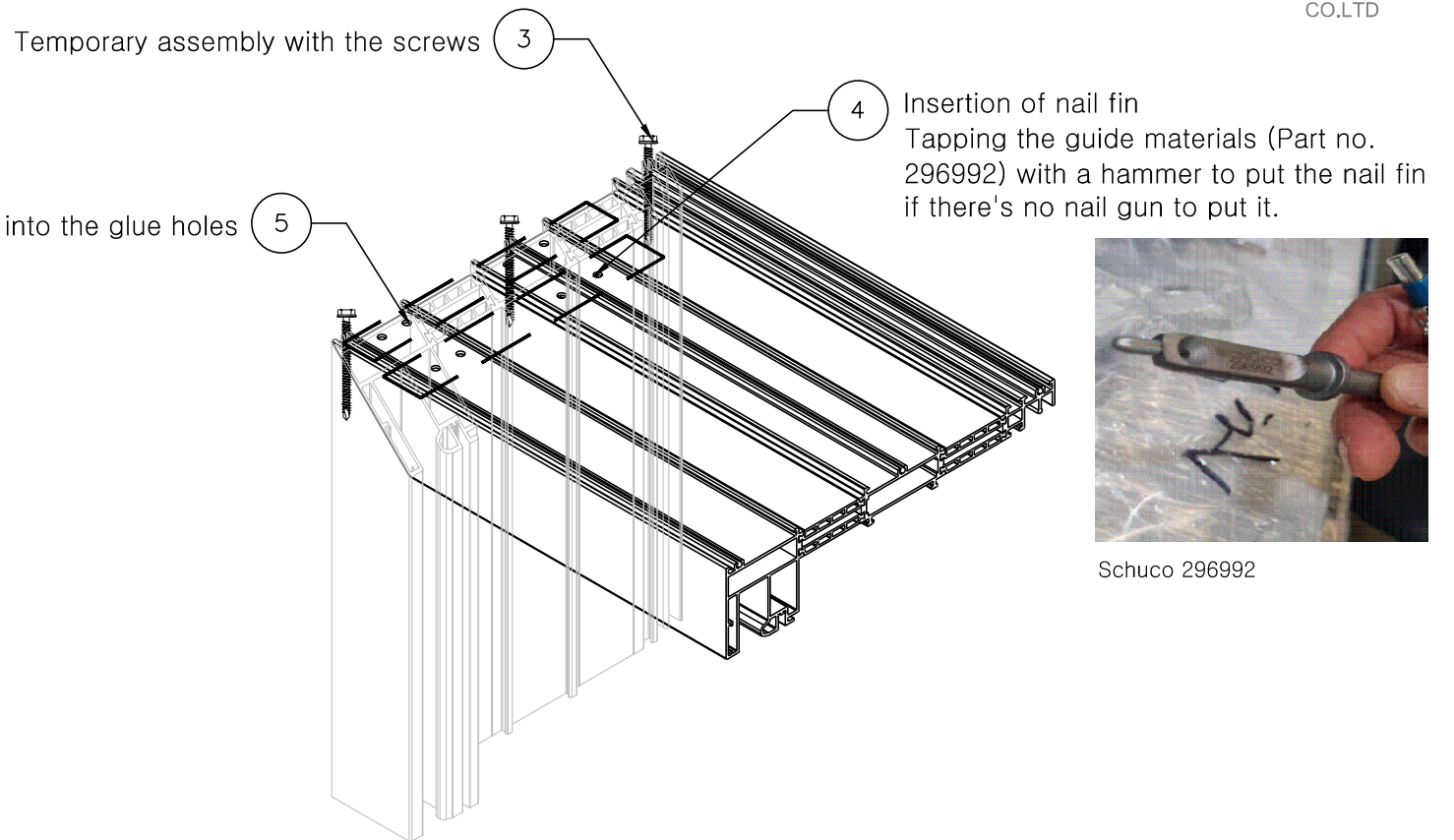
STEP 1 – Frame assembly



* Notice: Insertion of the sealants into the frame to block the water leakage along with the corner cleats.

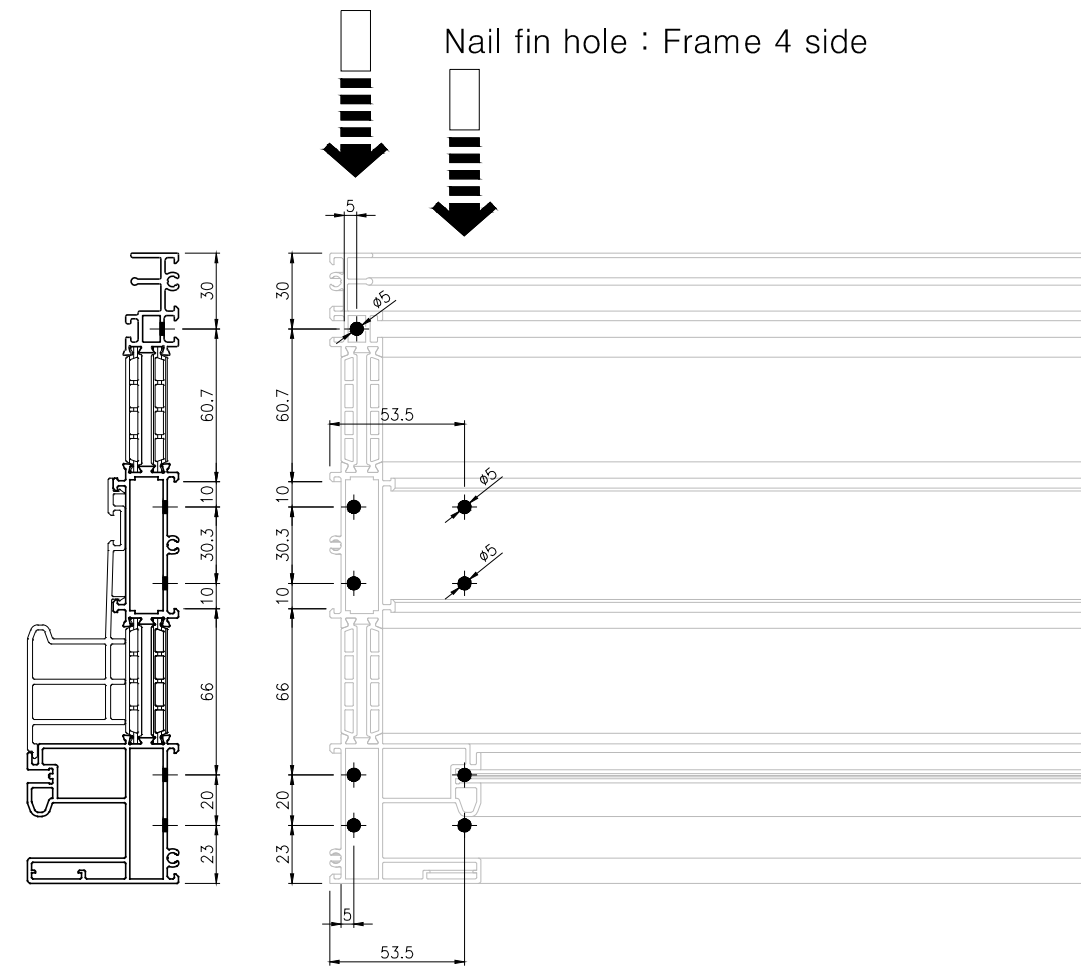


Insertion of the sealants into the glue holes

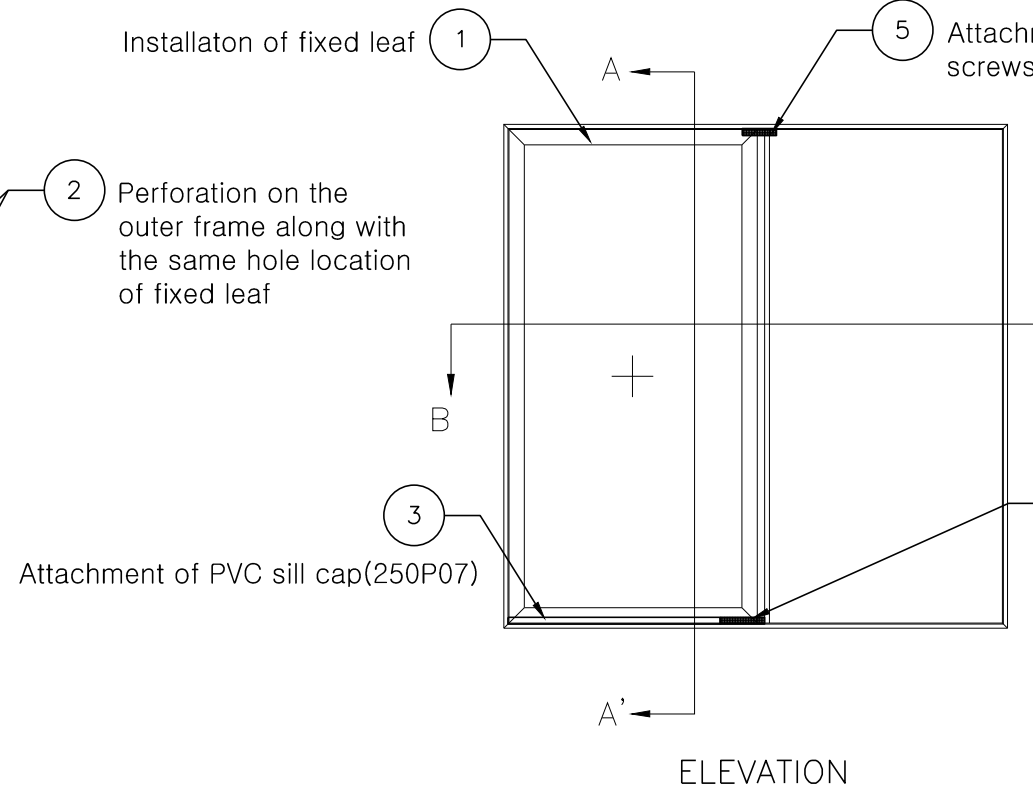
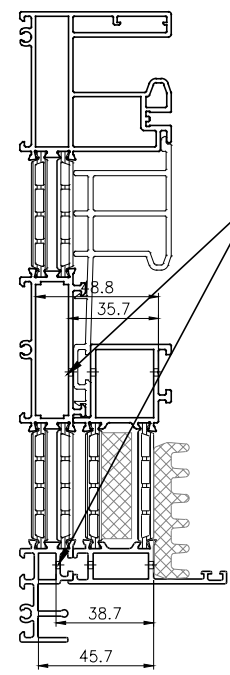


Schuco 296992

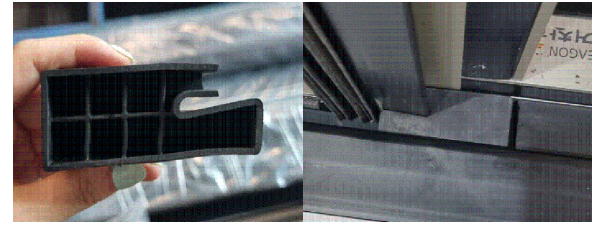
Glue hole : Frame Head & Sill
Nail fin hole : Frame 4 side



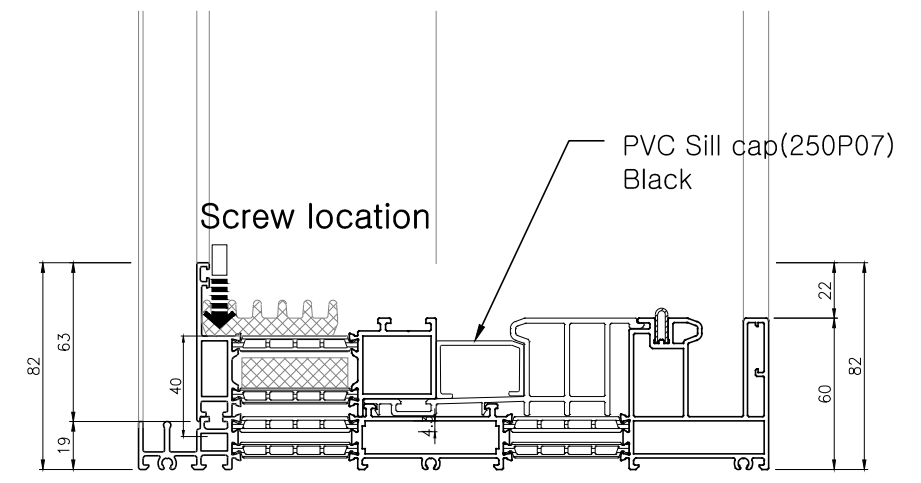
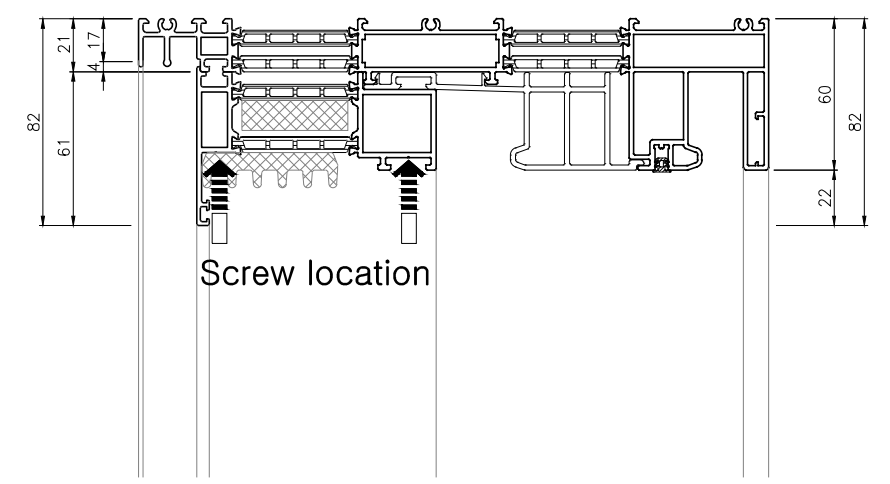
STEP 2 – Fixed leaf assembly and installation



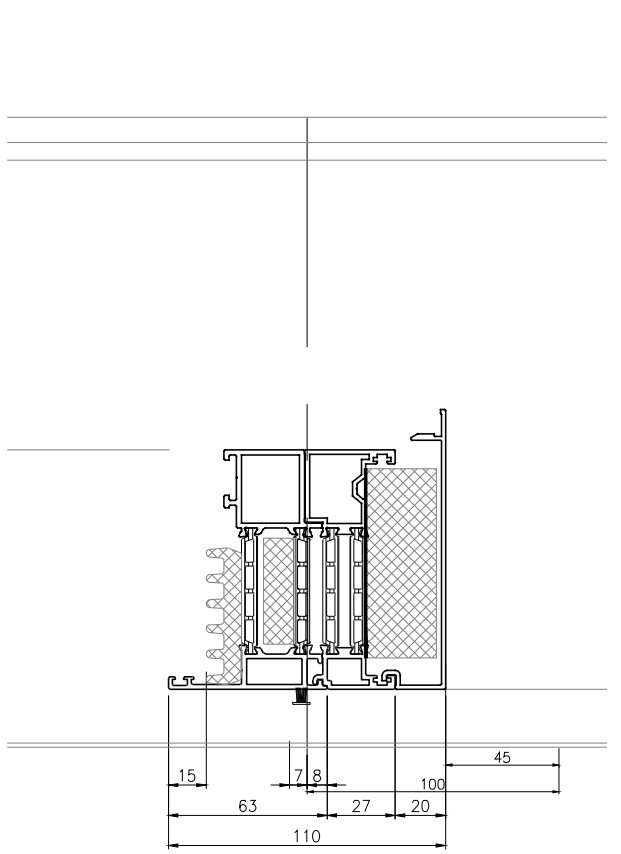
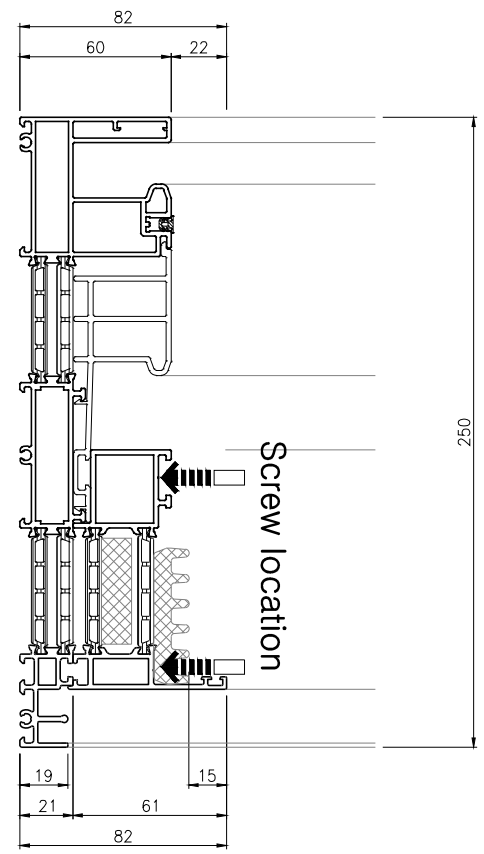
Air proofing materials / Screws



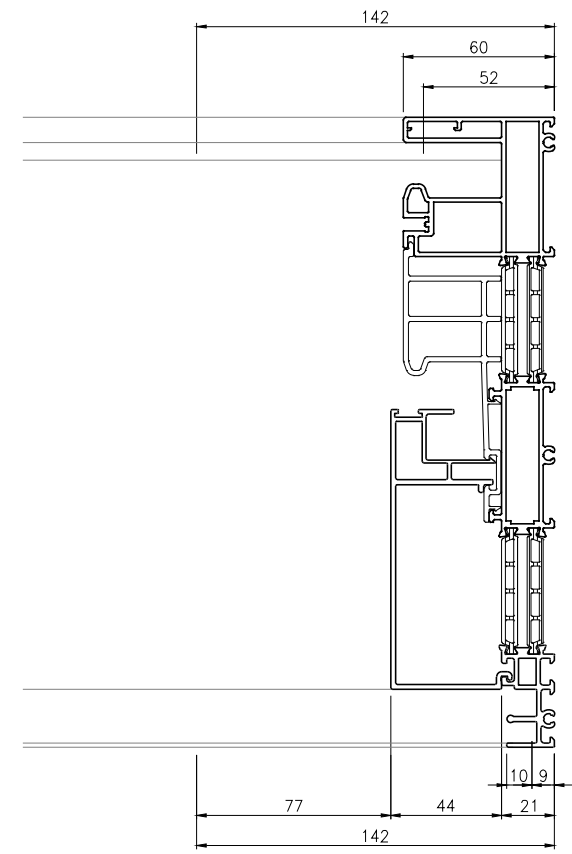
Air proofing materials (Bottom) / Attachment completed.



VERTICAL SECTION (A-A')

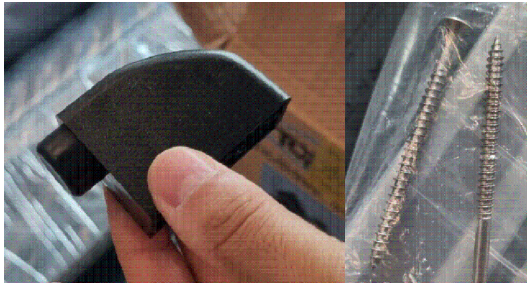


HORIZONTAL SECTION (B-B')

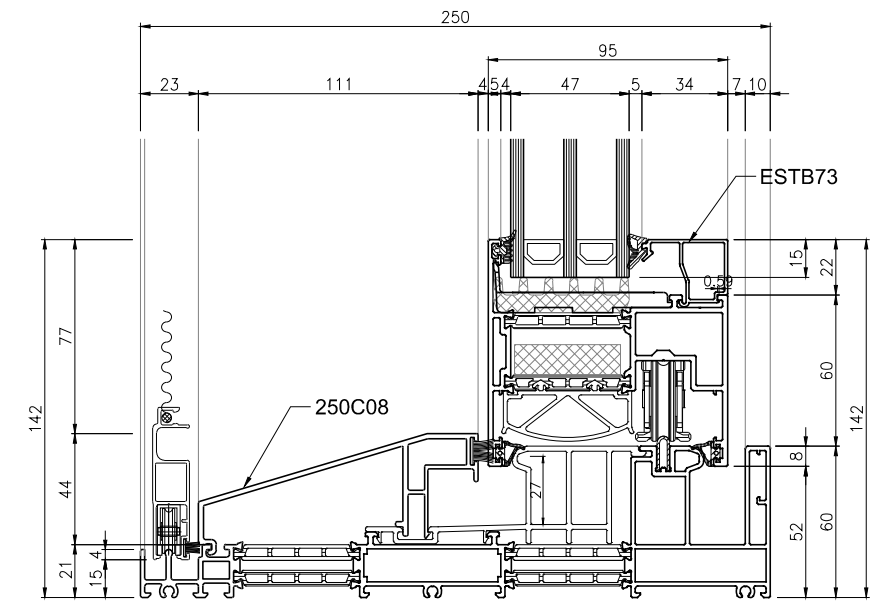
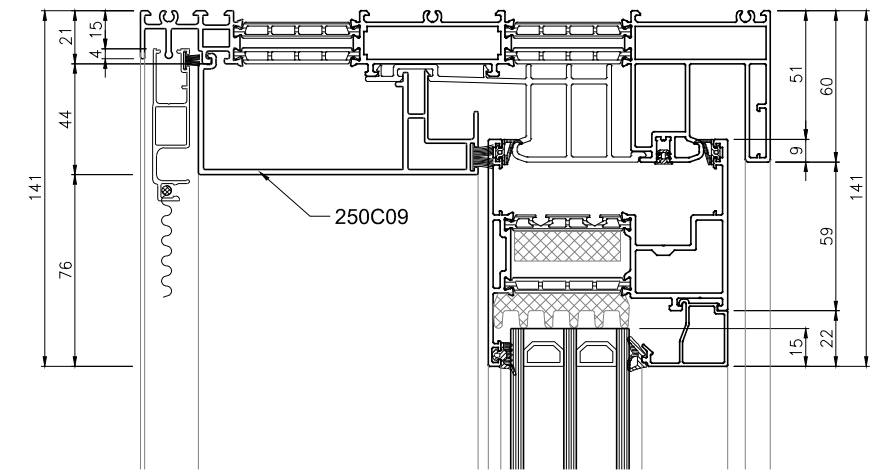
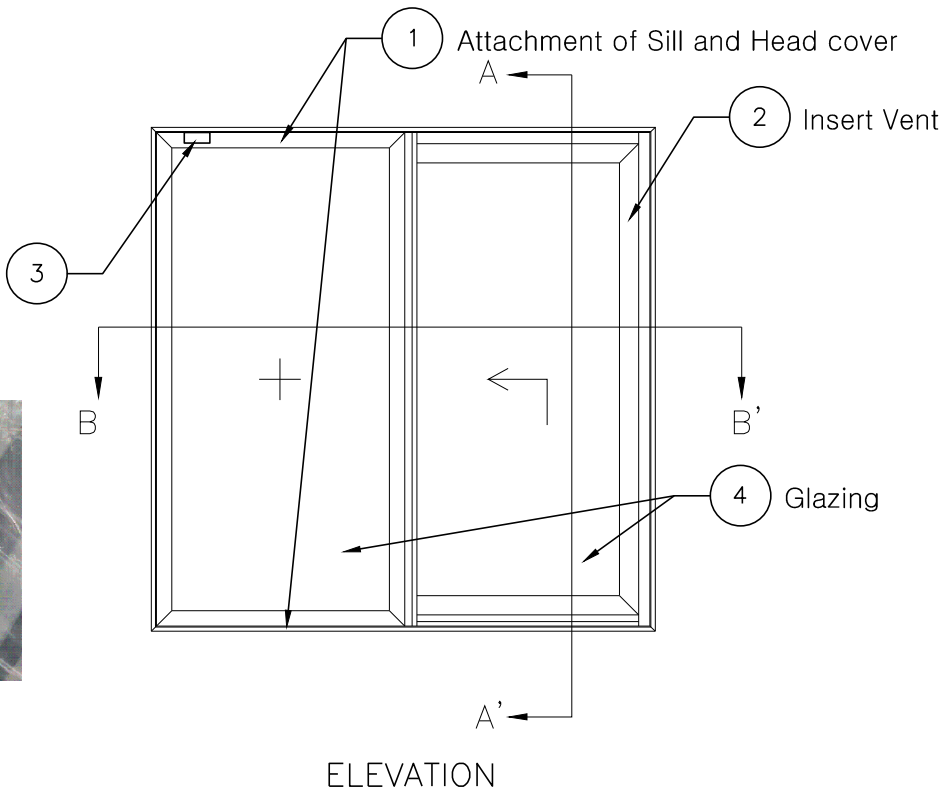


STEP 3 – Installation of operable leaf

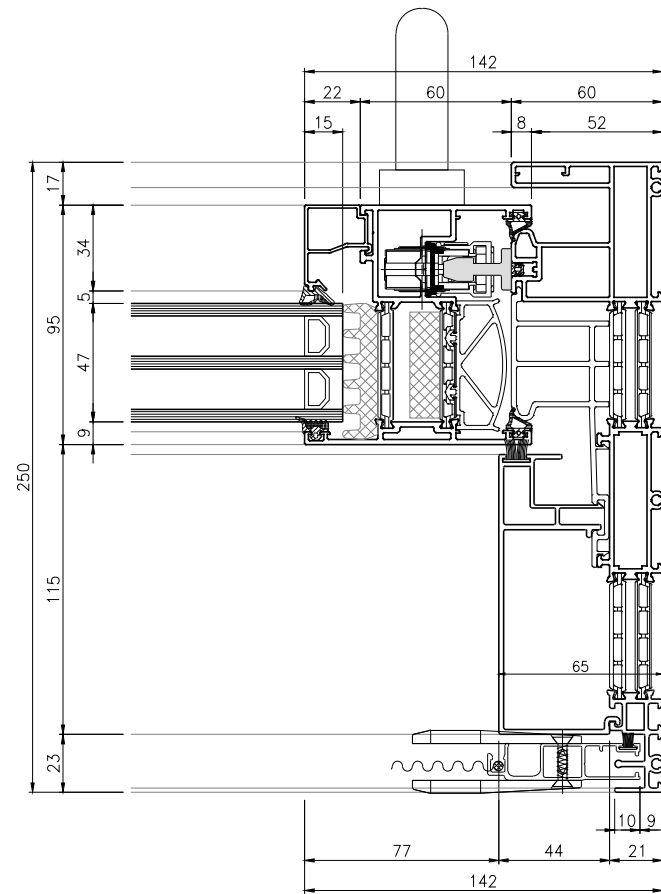
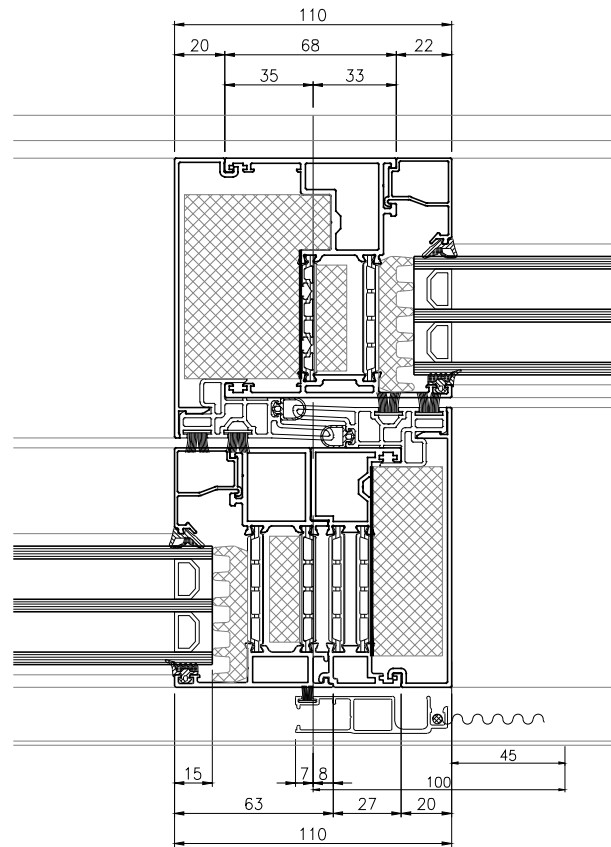
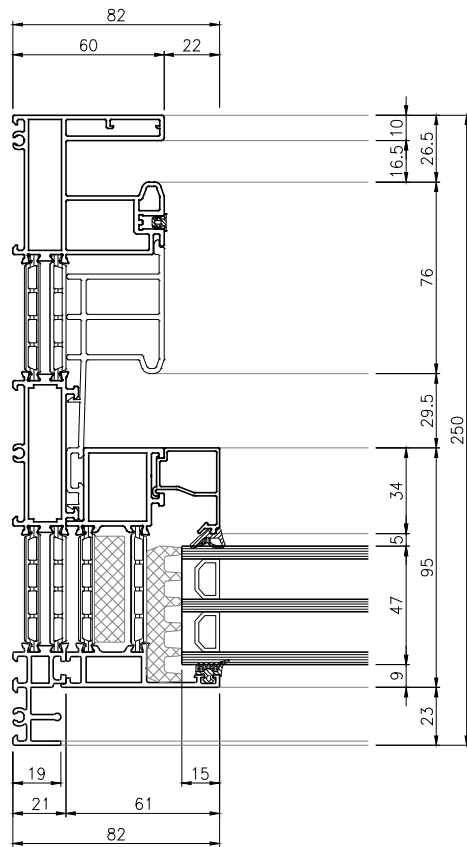
Installation of Stopper
(Recommended location : Please
make sure to use the recessed
handle onto the exterior frame
when opened)



Stopper / Screw



VERTICAL SECTION (A-A')



HORIZONTAL SECTION (B-B')