

NOTE
* ALT1
* SLIDING
- ESS70 SD MT

General Notes
1. Elevations are shown from exterior unless otherwise noted
2. Anchor/wall fastener - Location, spacing and quantity to be determined per design pressure requirements by structural engineer and/or certified test drawings

△	
△	
△	
△	
△	
2021. 00. 00.	
REV.	DESCRIPTION
v.3	

PROJECT -

ITEM NO. -

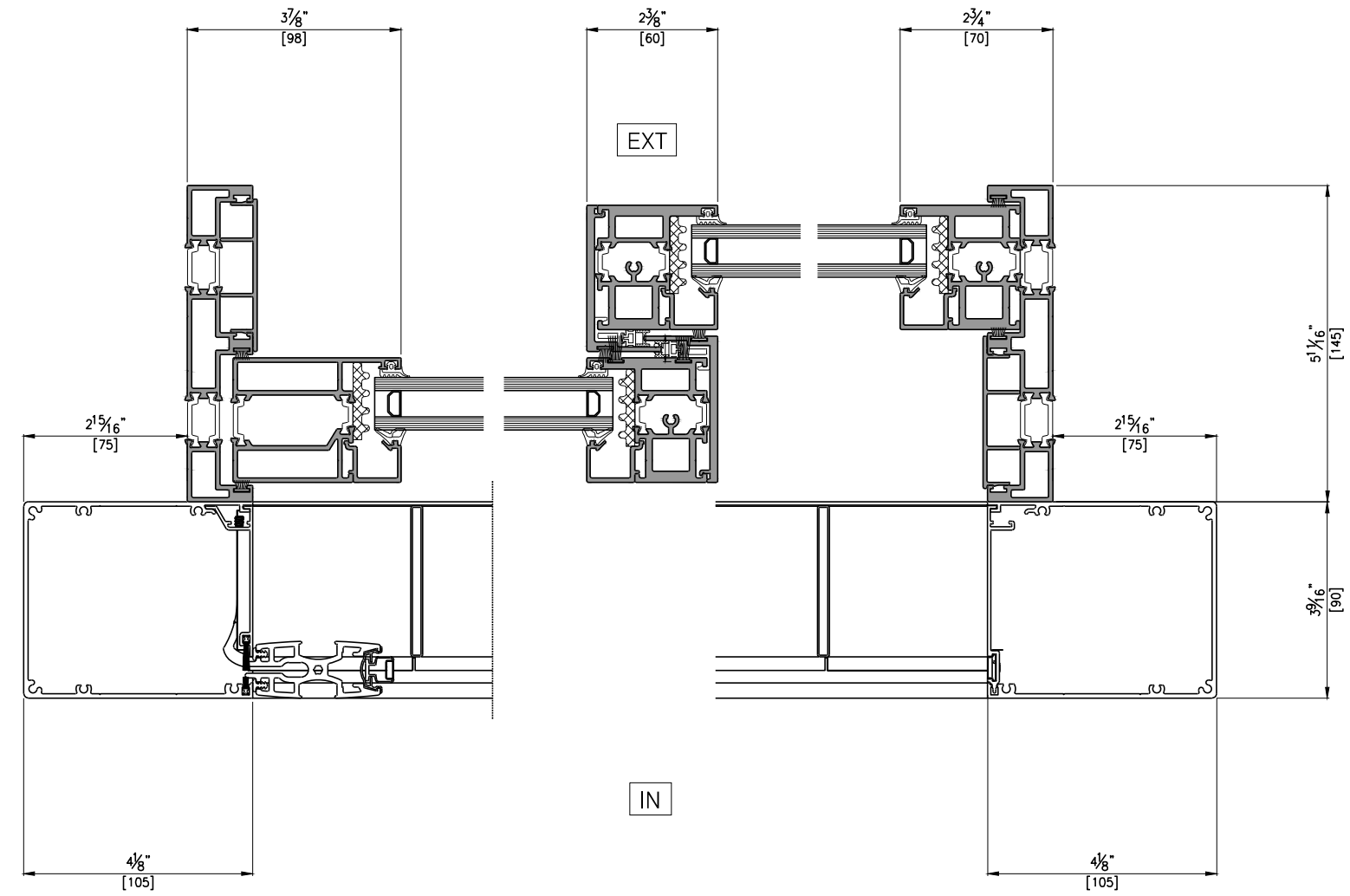
PRODUCT NAME
**CENTOR S4
SINGLE**

QTY
1

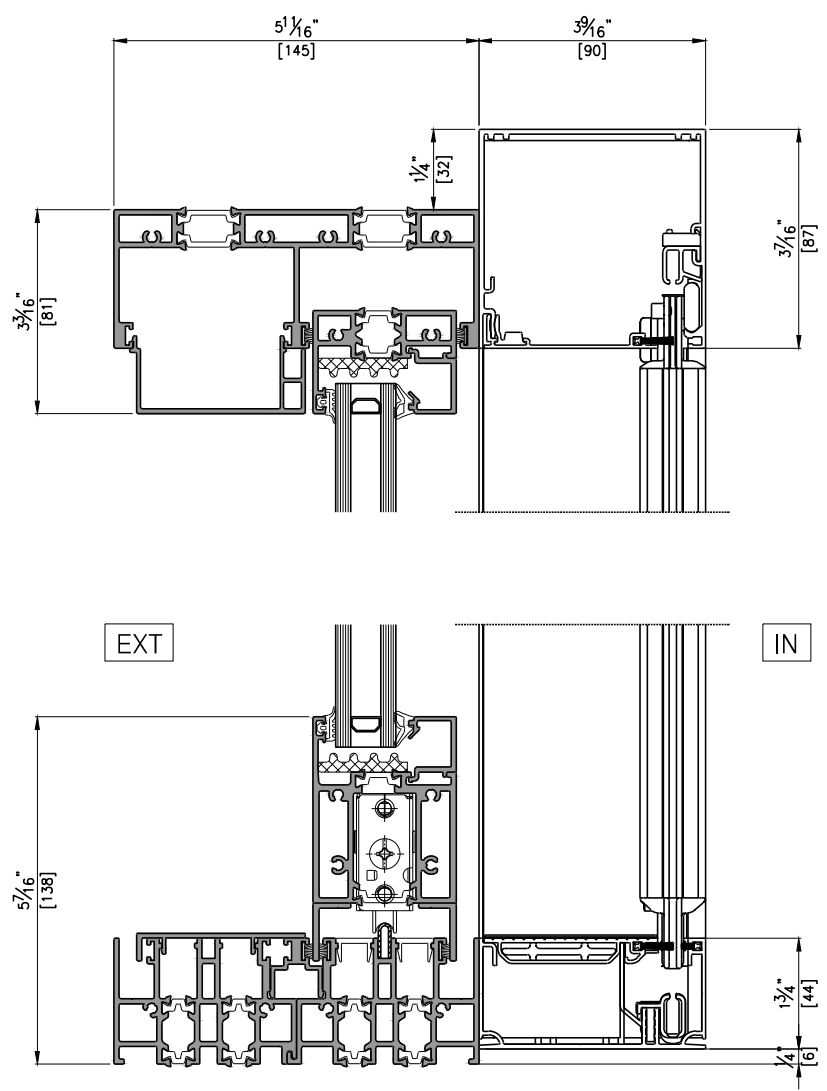
VIEW
EXTERIOR

SCALE
-

DRAWING NO. ISSUE



HORIZONTAL SECTION DETAIL



VERTICAL SECTION DETAIL

Centor S4	Max Frame width	Max Frame height
Single	181 1/2" (4611mm)	126" (3200mm)
Double	354 13/16" (9013mm)	126" (3200mm)